

**MST 1-PHASE CONTROL AND ISOLATION TRANSFORMER**

P: 1600VA IN: 208...550VAC OUT: 2x115VAC

Single-phase - Control and Isolation Transformers

1600 VA

Isolation class T 40/B

Other voltages on request.

[Link to Product](#)**Illustration**

Product may differ from Image

**Approvals****Input**

Input voltage	208, 230, 380, 400, 420, 440, 460, 480, 500, 525, 550 V AC
Input current	8.8 A (208 V AC); 3.3 A (550 V AC)
Inrush current	182 A (208 V AC); 70 A (550 V AC)
Short-circuit current	460 A (208 V AC); 175 A (550 V AC)
Frequency	50...60 Hz

**Output**

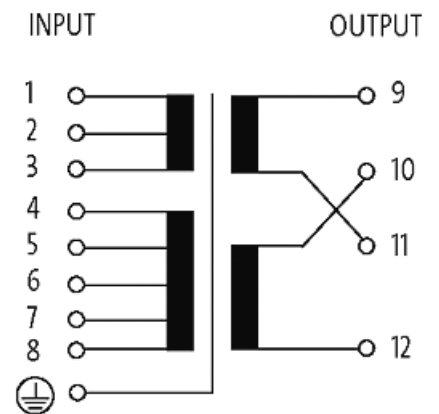
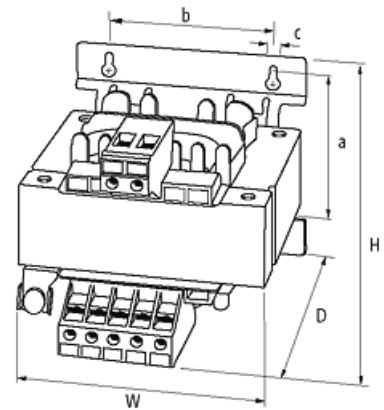
Output voltage	1 x 230, 1 x 115, 2 x 115 V AC
Output rating	1600 VA

**General data**

Standards	EN 61558-1, EN 61558-2-4, EN 62041 category 0
Test isolation voltage	4 kV (prim./sec.)
Mounting method	Key-hole mounting
Dimensions H×W×D	168×174×163 mm
Fixing centers a×b×c	141×135×7 mm
Drill hole Ø	7×11 mm
Temperature range	-20...+40 °C (storage temperature -20...+80 °C)

**Commercial data**

country of origin	CZ
customs tariff number	85043200
EAN	4048879078719
eClass	27031302
Packaging unit	1

**Sketch**

Product may differ from Image